

## Product Description

Seamless aluminium gutters are the perfect alternative to UPVC and have been successfully installed across the UK for over 40 years.

Manufactured onsite, the system has no joints and is made to length creating a waste free sustainable solution that is also 100% recyclable at the end of it's functional life.

## Properties

Formed from 0.9mm aluminium coil-alloy 3105B H45

Available in either 5" or 6" Ogee profiles  
Coated with an Abrasion Resistant System (ARS) in a range of colours including; Black, White, Brown, Light and Dark Grey.

Contact us for more colour options.

## Joining

The main advantage of seamless gutters is that they do not have any joints, as the material is produced in lengths on site. When a corner or stop end is required, either crimped endcaps or riveted box/strip mitres are combined with the long lengths to create unbroken lengths of up to 30 meters.

## Designed to last

The product has a life expectancy in excess of 30 years. Speak to the Mr Gutter team or check our website for more details. [www.mrgutter.co.uk](http://www.mrgutter.co.uk)

## Specification Information

**Clause:** R10/311 Rainwater Drainage Systems

**Product:** Seamless Gutter System

**Flow Rate:**

Component	Flow capacity (l · s <sup>-1</sup> )
Gutter <sup>(1)</sup>	2.33
Outlet	
60 mm	1.56
70 mm	2.12

## Maintenance

Gutters should periodically be cleaned out and any built-up debris removed.

To maximise the longevity of the decorative paint finishes, all parts should be washed down with clean water at least every 12 months.

In Marine/Industrial environments this should be done every 6 months.

## Further Information

Please visit [www.mrgutter.co.uk](http://www.mrgutter.co.uk) or contact the Mr Gutter team on: **0333 242 1470** for a FREE estimate.

SPECIFICATION SHEET

M-5300

gutter  clean<sup>®</sup>  
SYSTEM



GUTTER PROTECTION FOR 5 IN. GUTTERS

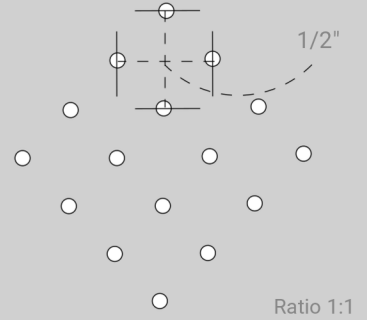
PRODUCT

- Product for existing rain gutters
- Protects from leaves, debris, snow and ice
- Sturdy weatherproof structure
- Prevents leaks
- 25-year anti-clog warranty
- Package contains:

-7.5' (2.286 m) x 16 pcs = 120' (36.5 m)

PERFORATIONS

- 7/64" (2.8 mm) in diameter
- Drains 29.7" (754 mm) of water per hour
- Offers the perfect balance between maximum drainage and debris protection



ALUMINUM

- Color: Gold Backer
- Grade: 3105 H24
- Thickness: 0.0175" (including finish)

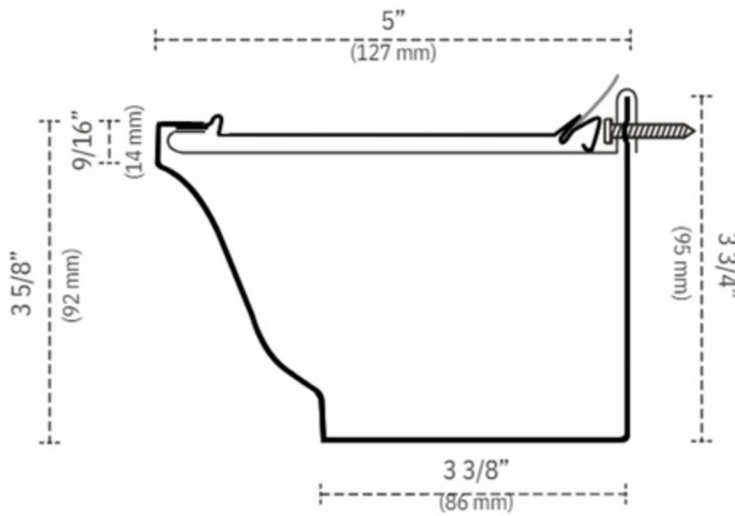


View the results of our independent drainage, resistance, and wind tunnel tests at [www.alu-rex.com/en/tests](http://www.alu-rex.com/en/tests).

Tolerances

x.xx"	= +/- 0.05" (0.127 mm)
x.xxx"	= +/- 0.005" (0.0127 mm)

5" GUTTER PROFILE



PROFILE



FLEX SEAL TECHNOLOGY

- Back of the gutter is watertight
- Resistant to UV rays and changes in temperature
- Protection against mold
- Unique patented technology

